



香港中文大學

The Chinese University of Hong Kong

CSCI2510 Computer Organization

Lecture 10: Control Unit and Instruction Encoding

Ming-Chang YANG

mcyang@cse.cuhk.edu.hk

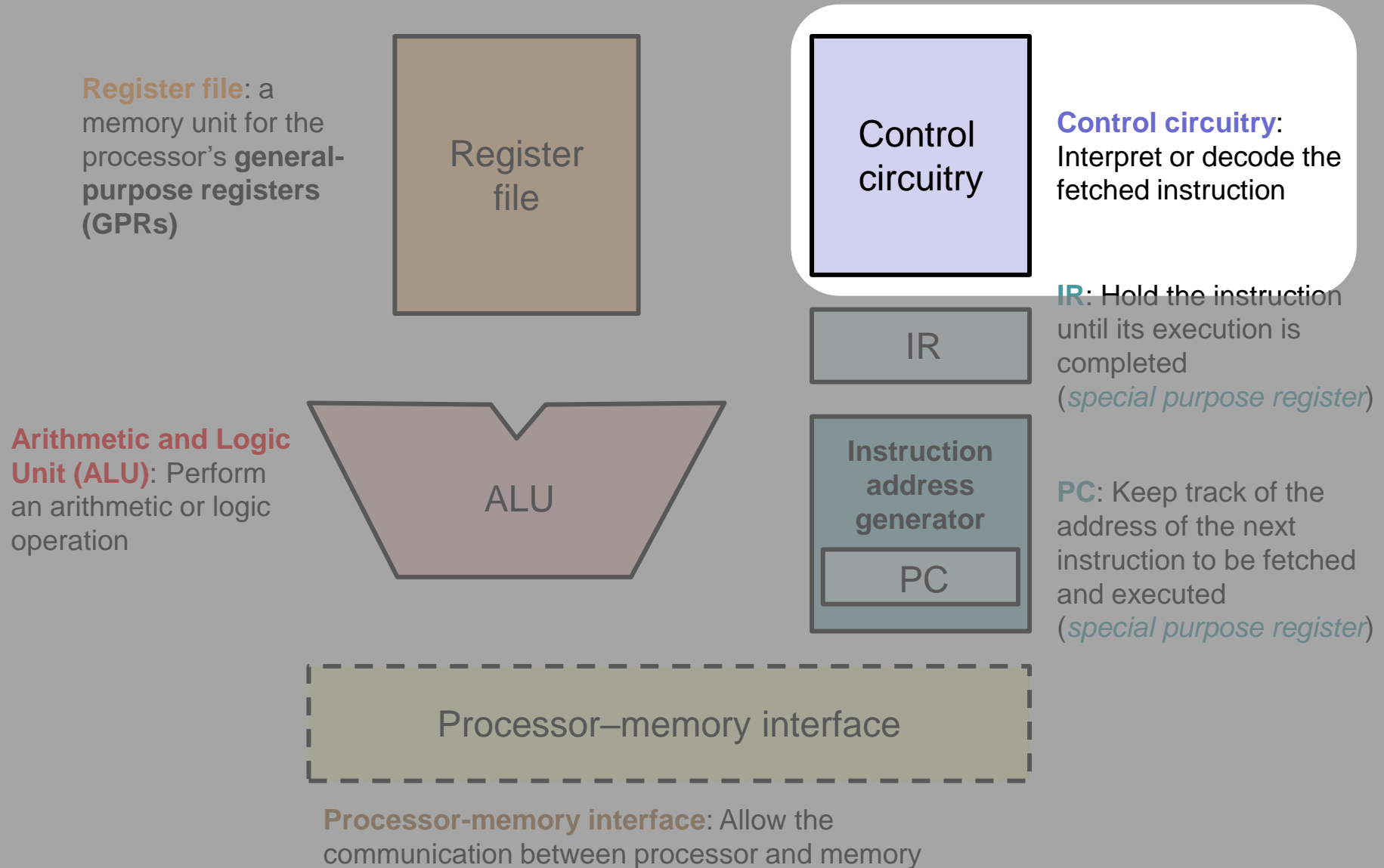
COMPUTER
ORGANIZATION



Carl Hamacher
Zvonko Vranesic
Safwat Zaky

Reading: Chap. 7.4~7.5 (5th Ed.)

Recall: Components of a Processor





- Control Signal Generation
 - 1) Hard-wired Control
 - 2) Micro-programmed Control

- Machine Instruction Encoding

Control Signal Generation

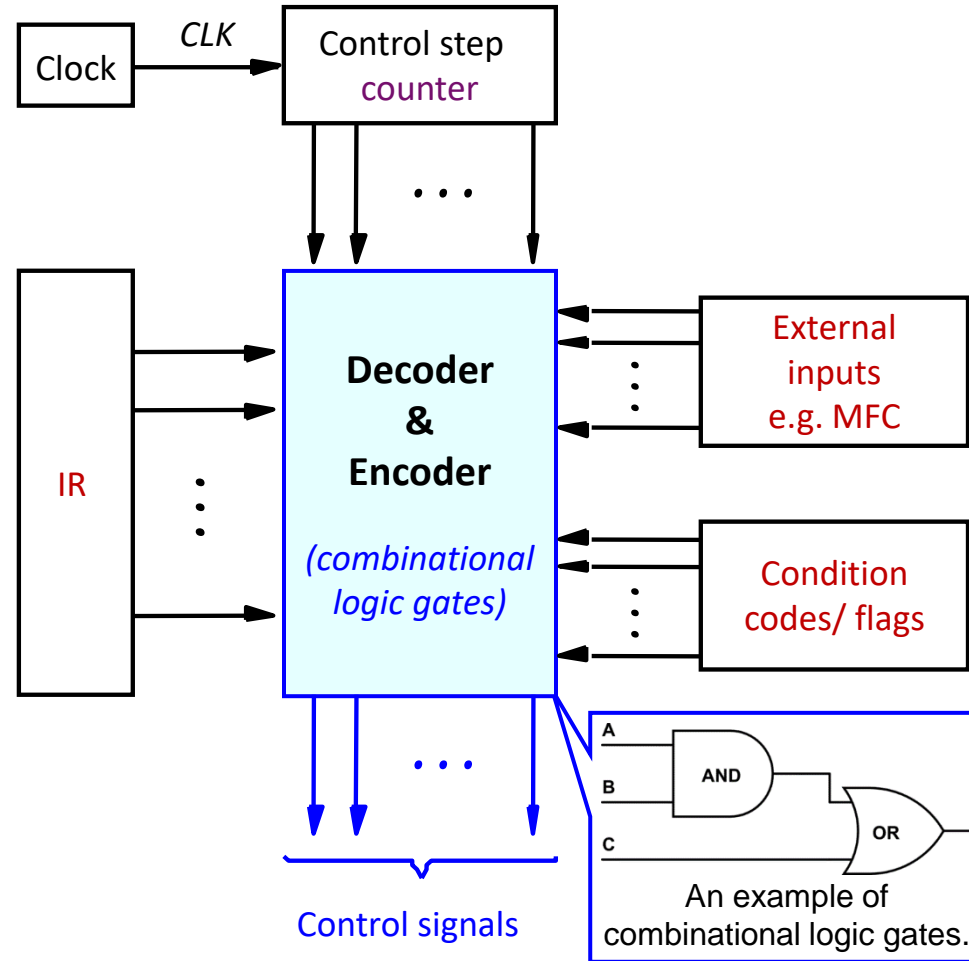


- The processor must have some means to **generate the control signals** for instruction execution:
 - 1) Hard-wired control
 - 2) Micro-programmed control
- Every control signals (e.g., PC-out, MDR-in, ADD, SUB, ...) are switched **on (active)** and **off (inactive)** at suitable time.
 - The time duration is determined by the clock.

1) Hard-wired Control



- **Hard-wired Control:**
The **combinational logic gates** are used to determine the sequence of control signals:
 - A **counter** is used keep track of the control steps.
 - Control signals are **functions** of the **IR**, **external inputs** and **condition codes**
 - The **control signals** are generated **at the right time** (i.e., control step).



1) Hard-wired Control (Cont'd)



- A simplified example:

Fetch Phase:

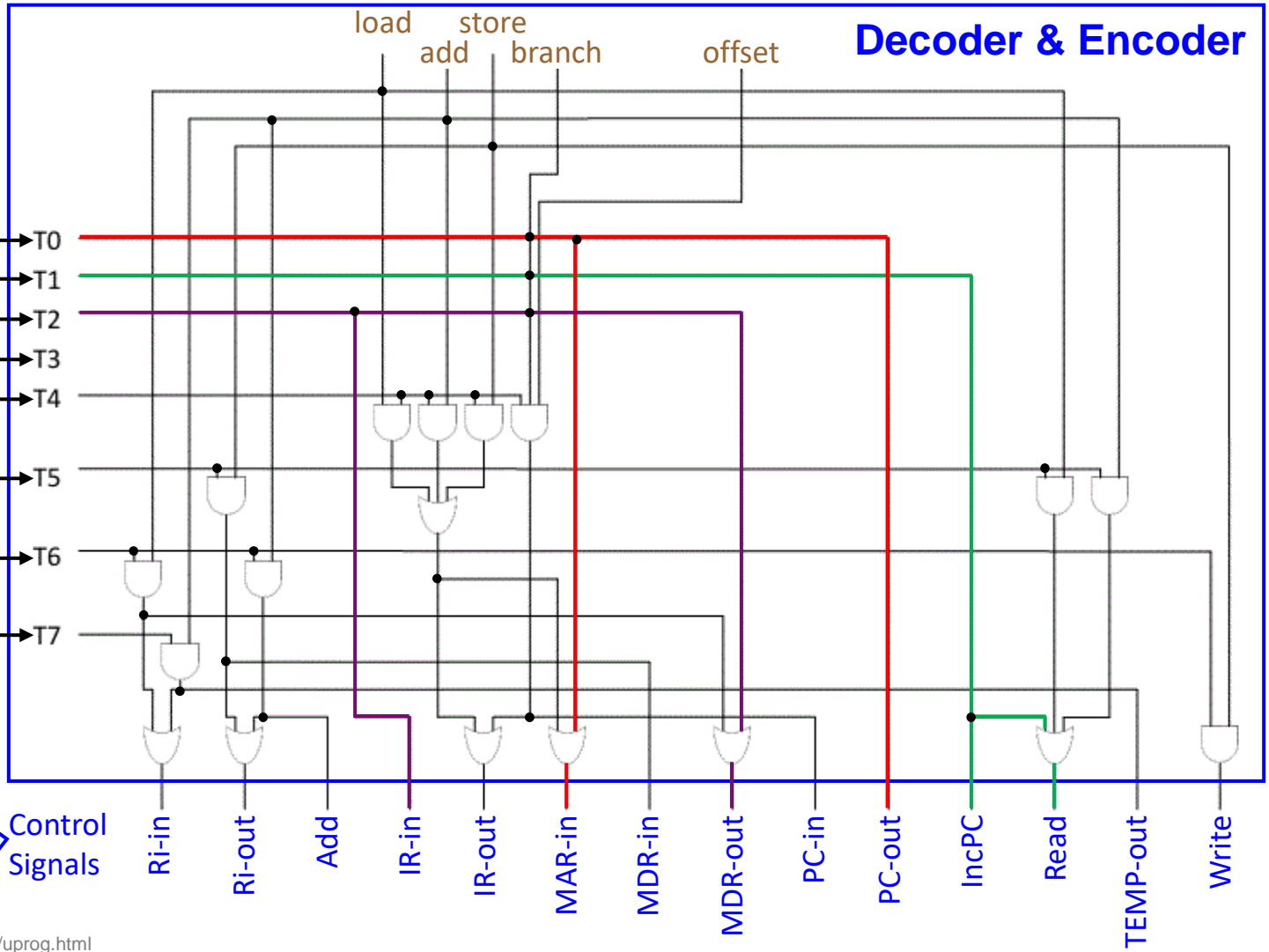
T0: PC-out, MAR-in

T1: Read, IncPC

T2: MDR-out, IR-in

Execution Phase:

...



Control signals are only **switched on** at the right control step (e.g., T0, T1, T2, T3, ...)

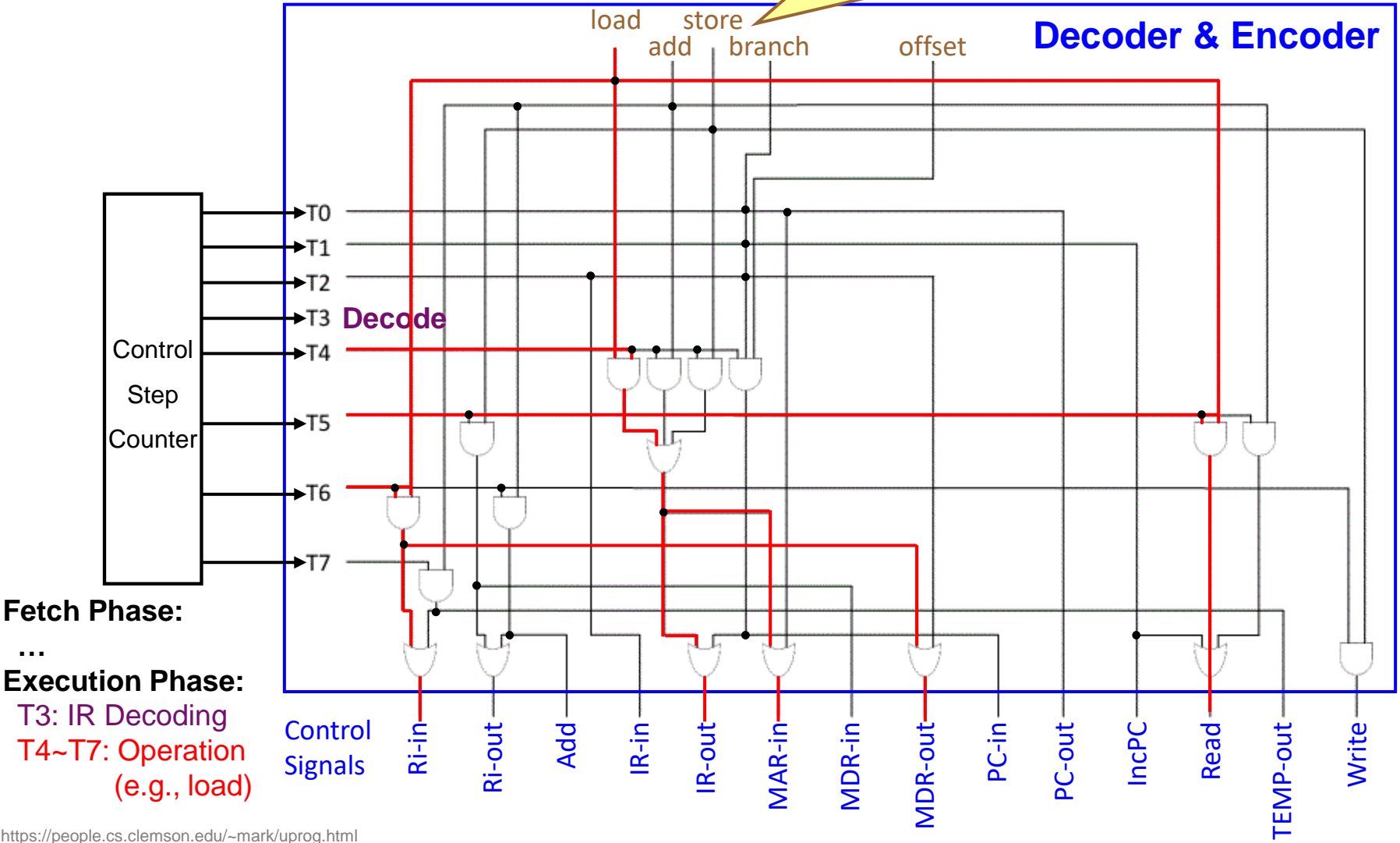
<https://people.cs.clemson.edu/~mark/uprog.html>

1) Hard-wired Control (Cont'd)



- A simplified example:

IR needs to be decoded to determine the instruction



<https://people.cs.clemson.edu/~mark/uprog.html>

Class Exercise 10.1

Student ID: _____ Date: _____

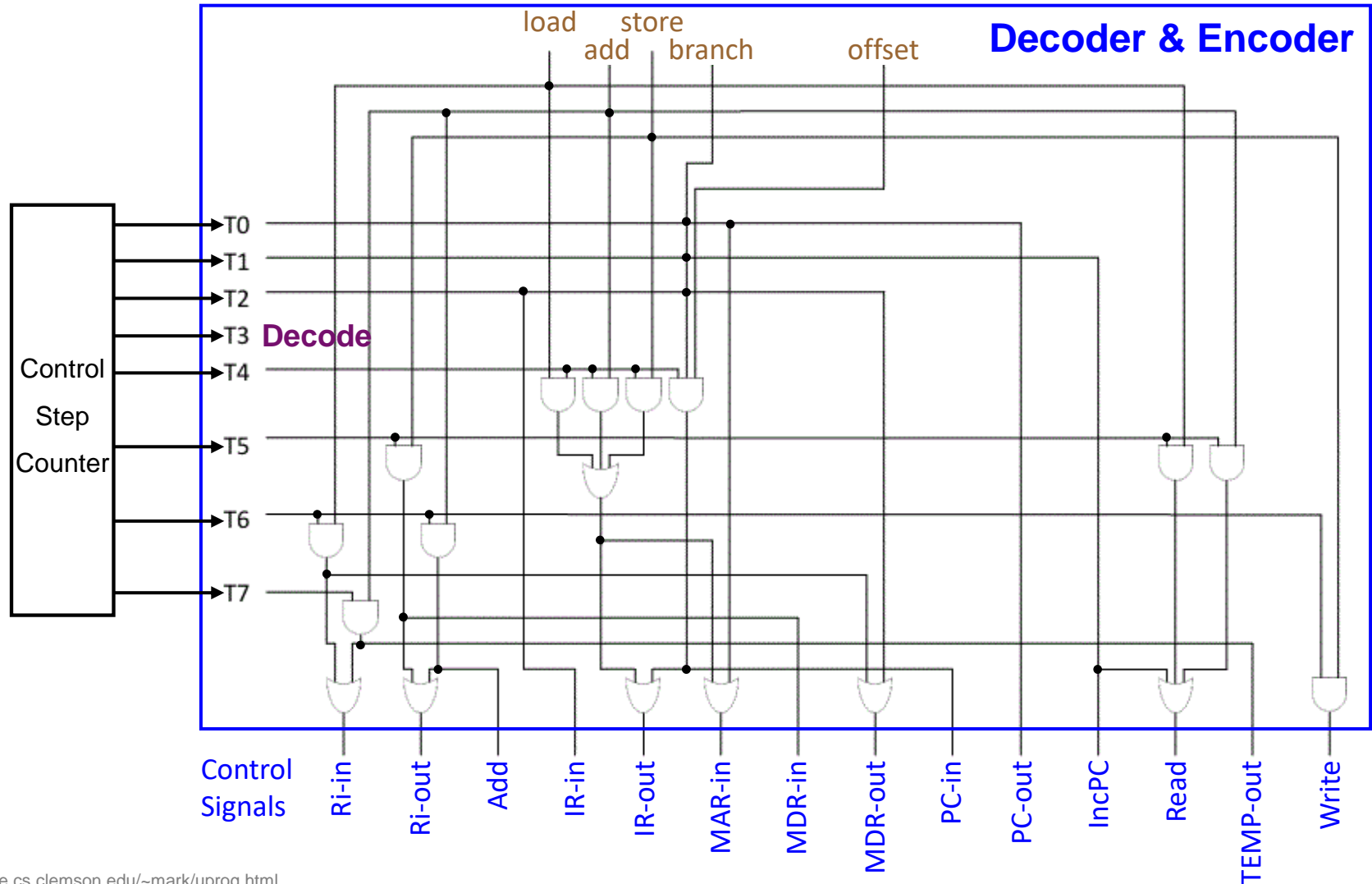
Name: _____

- The control sequences of different instructions may consist of a different number of steps.
 - For example, the load instruction is composed of 6 steps (3 for the fetch, 1 for the decode, and 3 for the execution).
- Can you tell how many control steps are required for the other three instructions (i.e., add, store, and branch) in the given simplified hard-wired control?

Class Exercise 10.1



- A simplified example:



1) Hard-wired Control (Cont'd)



- The wiring of the logic gates for control signal generation is **fixed**.
 - Simple signal:
 - PC-out = T0
 - Complicated signal :
 - MDR-inE = ((IR == ADD) and ((T2) or (T5))) or ((IR == SUB) and ((T2) or (T5))) or ... CarryFlag or ... and ... or ... and ... and ...
- The hard-wired control can operate at **high speed**.
- However, the hard-wired control has **little flexibility**.
 - It can only implement instruction set of limited complexity.

2) Micro-programmed Control



- The control signals are generated by a **micro-program**.
- Every line is a **control word**.
- Micro-programs are stored in a special memory (**control store**).

Step	Action	Ex: ADD R1, (R3)
1	PC _{out} , MAR _{in} , Read, Select4, Add, Z _{in} , B _{in}	
2	Z _{out} , PC _{in} , Y _{in} , WMFC, MDR _{inE}	
3	MDR _{out} , IR _{in}	
4	R3 _{out} , MAR _{in} , Read	
5	R1 _{out} , Y _{in} , WMFC, MDR _{inE}	
6	MDR _{out} , SelectY, Add, Z _{in} , B _{in}	
7	Z _{out} , R1 _{in} , End	

Micro-Program

Micro-instruction	PC _{in}	PC _{out}	MAR _{in}	Read	MDR _{out}	IR _{in}	Y _{in}	Select	Add	Z _{in}	Z _{out}	R1 _{out}	R1 _{in}	R3 _{out}	WMFC	End	B _{in}	MDR _{inE}
1	0	1	1	1	0	0	0	1	1	1	0	0	0	0	0	0	1	0
2	1	0	0	0	0	0	1	0	0	0	1	0	0	0	1	0	0	1
3	0	0	0	0	1	1	0	0	0	0	0	0	0	0	0	0	0	0
4	0	0	1	1	0	0	0	0	0	0	0	0	0	1	0	0	0	0
5																		
6	0	0	0	0	1	0	0	0	1	1	0	0	0	0	0	0	1	0
7	0	0	0	0	0	0	0	0	0	0	1	0	1	0	0	1	0	0

Class Exercise 10.2



- Please fill in the missing control word in the below micro-program for the instruction ADD R1, (R3):

Step	Action	Ex: ADD R1, (R3)
1	PC _{out} , MAR _{in} , Read, Select4, Add, Z _{in} , B _{in}	
2	Z _{out} , PC _{in} , Y _{in} , WMF C, MDR _{inE}	
3	MDR _{out} , IR _{in}	
4	R3 _{out} , MAR _{in} , Read	
5	R1 _{out} , Y _{in} , WMF C, MDR _{inE}	
6	MDR _{out} , SelectY, Add, Z _{in} , B _{in}	
7	Z _{out} , R1 _{in} , End	

Control word

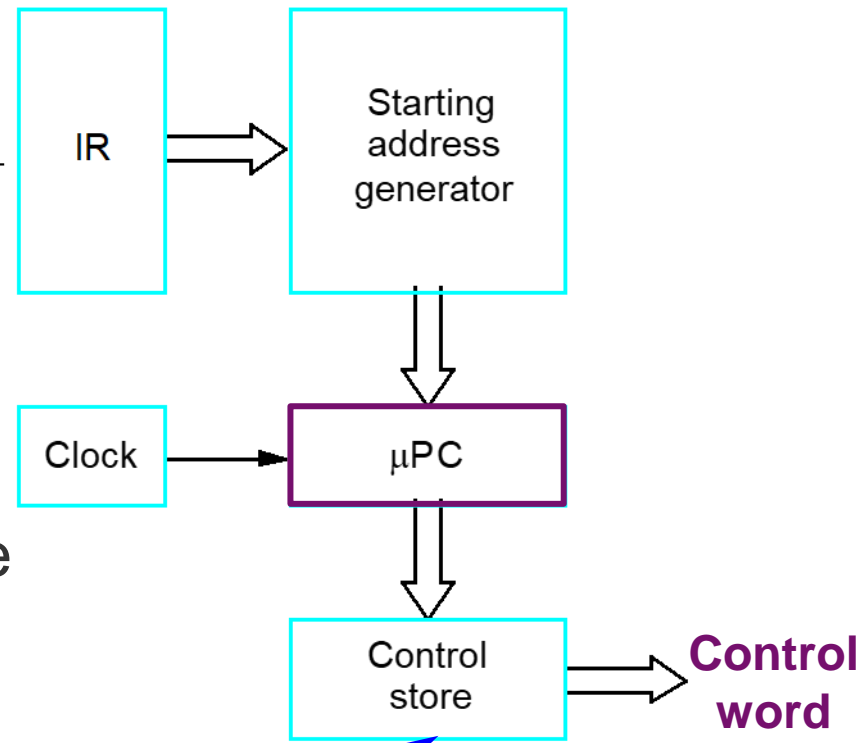
Micro-instruction	PC _{in}	PC _{out}	MAR _{in}	Read	MDR _{out}	IR _{in}	Y _{in}	Select	Add	Z _{in}	Z _{out}	R1 _{out}	R1 _{in}	R3 _{out}	WMFC	End	B _{in}	MDR _{inE}
1	0	1	1	1	0	0	0	1	1	1	0	0	0	0	0	0	1	0
2	1	0	0	0	0	0	1	0	0	0	1	0	0	0	1	0	0	1
3	0	0	0	0	1	1	0	0	0	0	0	0	0	0	0	0	0	0
4	0	0	1	1	0	0	0	0	0	0	0	0	0	1	0	0	0	0
5																		
6	0	0	0	0	1	0	0	0	1	1	0	0	0	0	0	0	1	0
7	0	0	0	0	0	0	0	0	0	0	1	0	1	0	0	1	0	0

2) Micro-programmed Control (Cont'd)



- A micro-program counter (uPC) is used to read control words sequentially from control store.

- Whenever a new instruction is loaded into IR, "Starting Address Generator" loads the starting address into uPC.
- uPC increments by clock, causing successive micro-instructions to be read out from the control store.
- Control signals are generated in the correct sequence defined by a micro-program

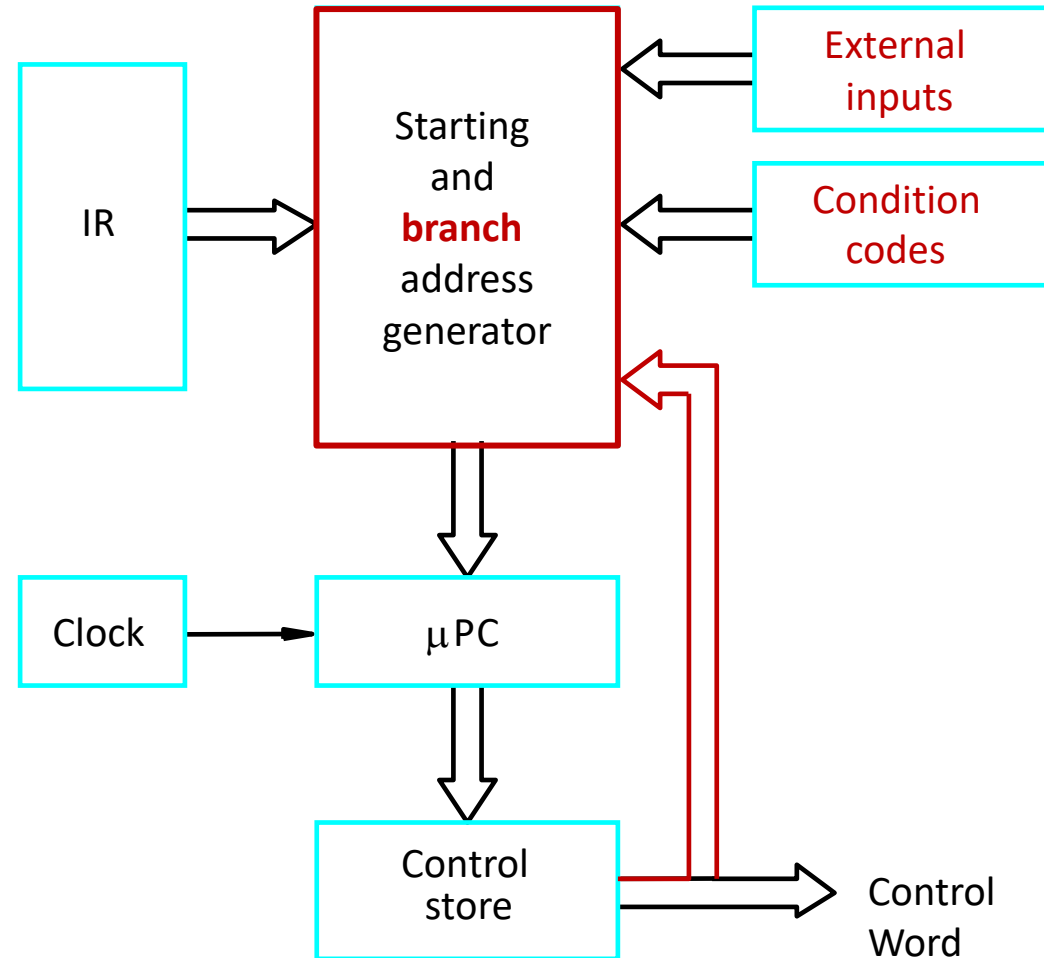


Micro - instruction	..	PC _{in}	PC _{out}	MAR _{in}	Read	MDR _{out}	IR _{in}	Y _{in}	Select	Add	Z _{in}	Z _{out}	R1 _{out}	R1 _{in}	R3 _{out}	WMFC	End	B _{in}	MDR _{inE}	
1		0	1	1	1	0	0	0	1	1	1	0	0	0	0	0	0	0	1	0
2		1	0	0	0	0	0	1	0	0	0	1	0	0	0	1	0	0	0	1
3		0	0	0	0	1	1	0	0	0	0	0	0	0	0	0	0	0	0	0
4		0	0	1	1	0	0	0	0	0	0	0	0	0	1	0	0	0	0	0
5		0	0	0	0	0	0	1	0	0	0	0	1	0	0	1	0	0	0	1
6		0	0	0	0	1	0	0	0	1	1	0	0	0	0	0	0	0	1	0
7		0	0	0	0	0	0	0	0	0	0	1	0	1	0	0	1	0	0	0

2) Micro-programmed Control (Cont'd)



- The previous scheme is not able to change the control sequence by other inputs.
 - It cannot support **branch on condition code** (e.g. Jump if < 0)
- Starting and **branch** address generator:
 - **Load new address** into uPC when needed.
 - By checking **condition codes** or **external inputs** that can affect uPC.



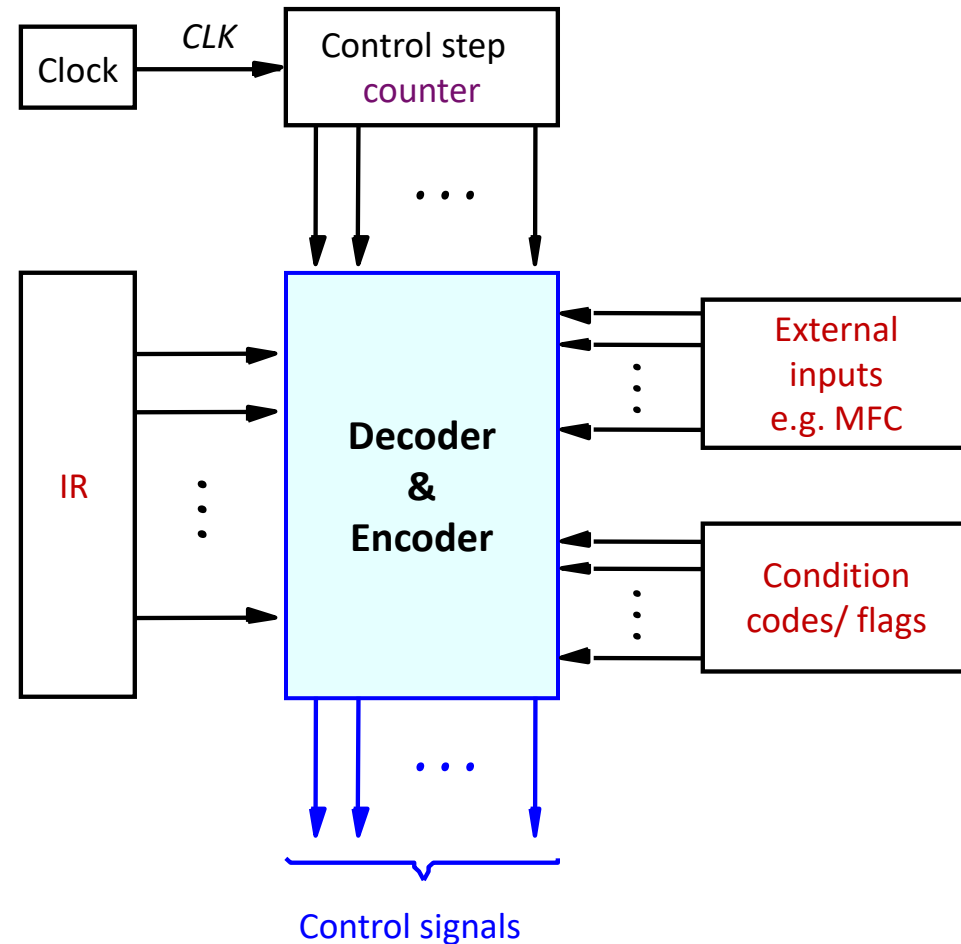


- Control Signal Generation
 - 1) Hard-wired Control
 - 2) Micro-programmed Control
- Machine Instruction Encoding

Machine Instruction Encoding



- An instruction must be **encoded** in a compact binary pattern.
- The decoder must **interpret** (or **decode**) the instruction, and generate the control signals correctly.



Why Machine Instruction Encoding?



- We have **a bunch of instructions**:
 - Such as add, subtract, move, shift, rotate, branch, etc.
- Instructions may use operands of **different sizes**.
 - Such as 32-bit and 8-bit number, or 8-bit ASCII characters.
- Both the type of operation and the type of operands need to be specified in **encoded binary patterns**.
 - **Type of Operation**: Often referred to as the **OP code**.
 - E.g., 8 bits can represent 256 different OP codes.
 - **Type of Operands**: **Addressing modes**.
 - An operand is the part of an instruction that specifies data to be operating on or manipulated.

Example: 8051/8052 OP Code Map

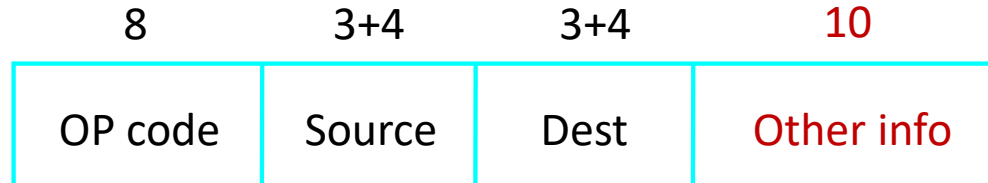


		Lower Nibble															
OpCode		0	1	2	3	4	5	6	7	8	9	A	B	C	D	E	F
Upper Nibble	0	NOP	AJMP page0	LJMP addr16	RR A	INC A	INC iram	INC @R0	INC @R1	INC R0	INC R1	INC R2	INC R3	INC R4	INC R5	INC R6	INC R7
	1	JBC bit, reladdr	ACALL page0	LCALL addr16	RRC A	DEC A	DEC iram	DEC @R0	DEC @R1	DEC R0	DEC R1	DEC R2	DEC R3	DEC R4	DEC R5	DEC R6	DEC R7
	2	JB bit, reladdr	AJMP page1	RET	RL A	ADD A, #data	ADD A, iram	ADD A, @R0	ADD A, @R1	ADD A, R0	ADD A, R1	ADD A, R2	ADD A, R3	ADD A, R4	ADD A, R5	ADD A, R6	ADD A, R7
	3	JNB bit, reladdr	ACALL page1	RETI	RLC A	ADDC A, #data	ADDC A, iram	ADDC A, @R0	ADDC A, @R1	ADDC A, R0	ADDC A, R1	ADDC A, R2	ADDC A, R3	ADDC A, R4	ADDC A, R5	ADDC A, R6	ADDC A, R7
	4	JC reladdr	AJMP page2	ORL iram, A	ORL iram, #data	ORL A, #data	ORL A, iram	ORL A, @R0	ORL A, @R1	ORL A, R0	ORL A, R1	ORL A, R2	ORL A, R3	ORL A, R4	ORL A, R5	ORL A, R6	ORL A, R7
	5	JNC reladdr	ACALL page2	ANL iram, A	ANL iram, #data	ANL A, #data	ANL A, iram	ANL A, @R0	ANL A, @R1	ANL A, R0	ANL A, R1	ANL A, R2	ANL A, R3	ANL A, R4	ANL A, R5	ANL A, R6	ANL A, R7
	6	JZ reladdr	AJMP page3	XRL iram, A	XRL iram, #data	XRL A, #data	XRL A, iram	XRL A, @R0	XRL A, @R1	XRL A, R0	XRL A, R1	XRL A, R2	XRL A, R3	XRL A, R4	XRL A, R5	XRL A, R6	XRL A, R7
	7	JNZ reladdr	ACALL page3	ORL C, bit	JMP @A+DPTR	MOV A, #data	MOV iram, #data	MOV @R0, #data	MOV @R1, #data	MOV R0, #data	MOV R1, #data	MOV R2, #data	MOV R3, #data	MOV R4, #data	MOV R5, #data	MOV R6, #data	MOV R7, #data
	8	SJMP reladdr	AJMP page4	ANL C, bit	MOVC A, @A+PC	DIV AB	MOV iram, iram	MOV iram, @R0	MOV iram, @R1	MOV iram, R0	MOV iram, R1	MOV iram, R2	MOV iram, R3	MOV iram, R4	MOV iram, R5	MOV iram, R6	MOV iram, R7
	9	MOV DPTR, #data16	ACALL page4	MOV bit, C	MOVC A, @A+DPTR	SUBB A, #data	SUBB A, iram	SUBB A, @R0	SUBB A, @R1	SUBB A, R0	SUBB A, R1	SUBB A, R2	SUBB A, R3	SUBB A, R4	SUBB A, R5	SUBB A, R6	SUBB A, R7
	A	ORL C, /bit	AJMP page5	MOV C, bit	INC DPTR	MUL AB	MOV ???	MOV @R0, iram	MOV @R1, iram	MOV R0, iram	MOV R1, iram	MOV R2, iram	MOV R3, iram	MOV R4, iram	MOV R5, iram	MOV R6, iram	MOV R7, iram
	B	ANL C, /bit	ACALL page5	CPL bit	CPL C	CJNE A, #data	CJNE A, iram	CJNE @R0, #data	CJNE @R1, #data	CJNE R0, #data	CJNE R1, #data	CJNE R2, #data	CJNE R3, #data	CJNE R4, #data	CJNE R5, #data	CJNE R6, #data	CJNE R7, #data
	C	PUSH iram	AJMP page6	CLR bit	CLR C	SWAP A	XCH A, iram	XCH A, @R0	XCH A, @R1	XCH A, R0	XCH A, R1	XCH A, R2	XCH A, R3	XCH A, R4	XCH A, R5	XCH A, R6	XCH A, R7
	D	POP iram	ACALL page6	SETB bit	SETB C	DA A	DJNZ iram, reladdr	XCHD A, @R0	XCHD A, @R1	DJNZ R0, reladdr	DJNZ R1, reladdr	DJNZ R2, reladdr	DJNZ R3, reladdr	DJNZ R4, reladdr	DJNZ R5, reladdr	DJNZ R6, reladdr	DJNZ R7, reladdr
	E	MOVX A, @DPTR	AJMP page7	MOVX A, @R0	MOVX A, @R1	CLR A	MOV A, iram	MOV A, @R0	MOV A, @R1	MOV A, R0	MOV A, R1	MOV A, R2	MOV A, R3	MOV A, R4	MOV A, R5	MOV A, R6	MOV A, R7
	F	MOVX @DPTR, A	ACALL page7	MOVX @R0, A	MOVX @R1, A	CPL A	MOV iram, A	MOV @R0, A	MOV @R1, A	MOV R0, A	MOV R1, A	MOV R2, A	MOV R3, A	MOV R4, A	MOV R5, A	MOV R6, A	MOV R7, A

One-word Instruction (1/2)



- Some instructions can be encoded in **one** 32-bit word:



- **OP code**: 8 bits
- **Src** and **Dest**: 3 bits (addressing mode) + 4 bits (register #)
- **Other info**: 10 bits (such as index value)

- **ADD R1, R2**

- Needs to specify OP code, SRC and DEST registers.
 - 8 bits for OP code.
 - 3 bits are needed for addressing modes.
 - 4 bits are required to distinguish 16 registers.

- **MOV R5, 24 (R0)**

- Needs to specify OP code, two registers and an index value of 24.
 - 10 bits of **other info** can be used for the index value.

One-word Instruction (2/2)



- Some instructions can be encoded in **one** 32-bit word:



- **OP code**: 8 bits
- **Branch address**: 24 bits

- **Branch > 0 Offset**

- 8 bits for OP code
- 24 bits are left for the branch address.

Question: How can we branch farther away?

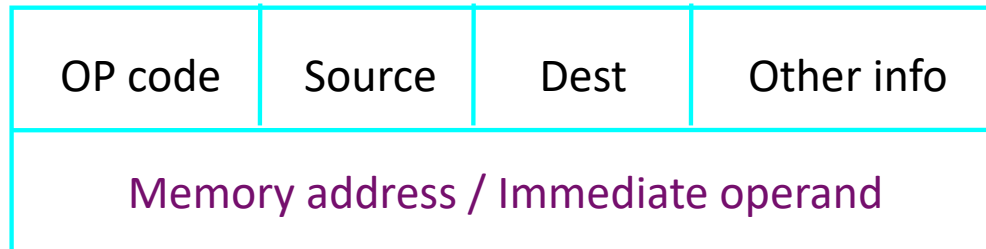
Two-word Instruction



- What if we want to specify a memory operand using the absolute addressing mode?

MOV R2, LOC

- 8 bits for OP code, 3+4 bits for addressing mode and register number for R2, 3 bits for addressing mode for LOC.
 - Only 14 bits left for specifying the memory address.
- Some instructions need **an additional word** to contain the absolute memory address or an immediate value:



- E.g., **Add R2, FF000000_h** (immediate operand)

Multi-word Instruction (1/2)



- What if we want to allow an instruction in which both two operands can be specified using the absolute addressing mode?

MOV LOC1, LOC2

- It becomes necessary to use **two additional words** for the 32-bit addresses of the two operands ...

OP code	Source	Dest	Other info
Memory address / Immediate operand			
Memory address / Immediate operand			

Multi-word Instruction (2/2)



- If we allow instructions using two 32-bit direct address operands, we need **three words in total** for the instruction encoding scheme.
 - E.g., **MOV LOC1, LOC2**
- Multiple length instructions are **difficult to implement** with high clock rate.
 - The design of the **Instruction Register (IR)** and the **Instruction Decoder** will be complex.
 - The **Control Unit** will be difficult to design.
- Shall we go for **simple** or **complex**?

Recall: RISC vs. CISC Styles



RISC

Simple addressing modes

All instructions fitting in **a single word**

Fewer instructions in the instruction set, and **simpler** addressing modes

Arithmetic and logic operations that can be performed **only on operands in processor registers**

Don't allow direct transfers from one memory location to another
Note: Such transfers must take place via a processor register.

Programs that tend to be **larger** in size, because **more but simpler** instructions are needed to perform complex tasks

Simple instructions that are conducive to **fast execution** by the processing unit using techniques such as **pipelining**

CISC

More **complex** addressing modes

More complex instructions, where an instruction may span **multiple words**

Many instructions that implement complex tasks, and **complicated** addressing modes

Arithmetic and logic operations that can be performed on **memory and register operands**

Possible to transfer from one memory location to another by using a single Move instruction

Programs that tend to be **smaller** in size, because **fewer but more complex** instructions are needed to perform complex tasks



- CISC **OR** RISC?
 - CISC machines usually require less instructions to do something but have a lower clock rate ...
 - RISC machines require more instructions to do something but have a higher clock rate...
- The Best of Both World: CISC **WITH** RISC
 - Modern processors usually combine the strengths of both CISC and RISC.
 - E.g., a CISC design with a RISC core:
 - Design a **RISC-style** core instruction decoder with high clock rates.
 - Provide a rich set of **CISC-style** instructions and addressing modes to assembly programmers.



- Control Signal Generation
 - 1) Hard-wired Control
 - 2) Micro-programmed Control

- Machine Instruction Encoding